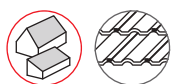




ASSEMBLY INSTRUCTIONS

SingleRail System SingleHook FT



Contents

▶ Tools overview	3
▶ General safety information	4
▶ Guidelines	5
▶ Components	6
▶ Assembly	8
▶ Notes	10

QUALITY TESTED– MULTIPLE CERTIFICATIONS

K2 Systems stands for secure connections, highest quality and precision. Our customers and business partners have known that for a long time. Independent institutes have tested, confirmed and certified our capabilities and components.

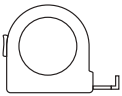
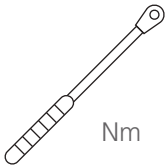
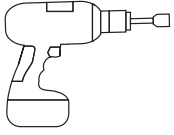
Please find our quality and product certificates under:

www.k2-systems.com/en/technical-information



Tools overview

K2 Systems mounting systems are designed for effortless assembly.
The following tools required for assembly are not supplied.



General safety information

Please note that our general mounting instructions must be followed at all times and can be viewed online at www.k2-systems.com/en/technical-information

- ▶ The equipment may only be installed and operated by qualified and adequately trained installers.
- ▶ Prior to installation, ensure that the product complies with on-site static loading requirements. For roof-mounted systems, the roof load-bearing capacity must always be checked.
- ▶ National and local building regulations and environmental requirements must be adhered to.
- ▶ Compliance with health and safety regulations, accident prevention guidelines and applicable standards is required.
 - Protective equipment such as safety helmet, boots and gloves must be worn.
 - Roofing works must be in accordance with roofing regulations utilising fall protection safeguards when eaves height exceeds 3 m.
 - At least two people must be present for the duration of the installation work in order to provide rapid assistance in the event of an emergency.
- ▶ K2 mounting systems are continuously developed and improved and the installation process may thereby change at any time. Prior to installation consult our website at www.k2-systems.com/en/technical-information for up-to-date instructions. We can send you the latest version on request.
- ▶ The assembly instructions of the module manufacturer must be adhered to.
- ▶ Equipotential bonding/grounding/earthing between individual parts is to be performed according to country specific standards, as well as national laws and regulations.
- ▶ At least one copy of the assembly instructions should be available on site throughout the duration of the installation.
- ▶ Failure to adhere to our general safety and assembly instructions and not using all system components, K2 is not liable for any resulting defects or damages. We do not accept liability for any damage resulting in the use of competitor's parts. Warranty is excluded in such cases.
- ▶ German law shall apply excluding the UN Convention on CISG. Place of venue is Stuttgart. Our General Terms of Business apply.
- ▶ If all safety instructions are adhered to and the system is correctly installed, there is a product warranty entitlement of 12 years! We strongly recommend reviewing our terms of guarantee, which can be viewed at www.k2-systems.com/en/technical-information We will also send this information on request.
- ▶ Dismantling of the system is performed in reverse order to the assembly.
- ▶ K2 stainless steel components are available in different corrosion resistance classes. Each structure or component must be carefully checked for possible corrosion exposure.

The following guidelines apply

The MiniRail system can be used without further testing by K2 systems in the following standard conditions. The system is also suitable for higher requirements. However, if a value exceeds the standard conditions, please contact K2 Systems.



ROOF REQUIREMENTS

- ▶ Sufficient holding force of the roof covering at the support or substructure must be ensured on site.
- ▶ Roof inclination of 5-75°



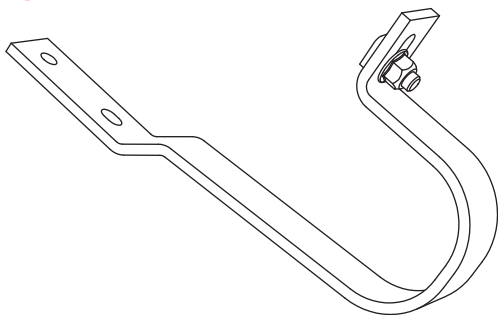
IMPORTANT MOUNTING INSTRUCTIONS

- ▶ On-site general standards and regulations for lightning protection must be observed and consultation with a specialist to create a lightning protection concept is recommended (use lightning protection clamp if necessary). Country-specific regulations apply.
- ▶ We recommend a thermal separation after maximum of 17.6 m.
- ▶ A minimum mounting distance of 50 mm from the end of the rail / rail joint to the module frame.
- ▶ Tightening torque for all module clamps 14 Nm
- ▶ For manufacturer information regarding clamps see the manufacturing module data sheet.
- ▶ In order to avoid tile breakage from high snow loads, underlay a suitable roof hook bracket (shim).
- ▶ Do not step on roof hooks or rails.
- ▶ Sizing and positioning of the wood screws are subject to the relevant regulations.
- ▶ Special requirements apply with on-rafter insulation or counter battening: special fit-for-purpose spacer screws must be used.
- ▶ We recommend solid wood with a minimum thickness of 24mm for the installation board in accordance with EN 14081-. A structurally load-bearing fastener to connect the installation board to the roof substructure is required on site. Ensure suitable wood screws are used to fasten the roof hook to the substructure.

Components

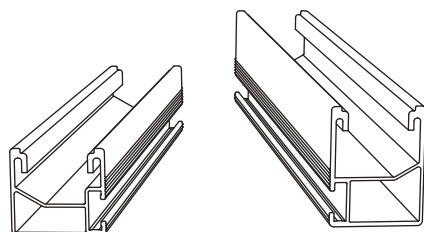
SINGLEHOOK FT

1 2002568



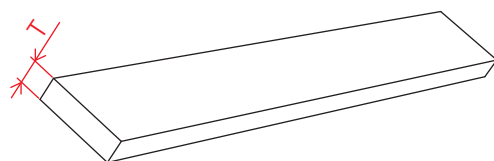
SingleHook FT

2 Item number project specific!



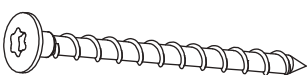
SingleRail 36 or SingleRail 50

3 Not included!



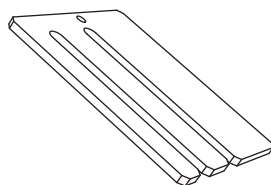
Installation board thickness $T \geq 24$ mm

4 Not included!

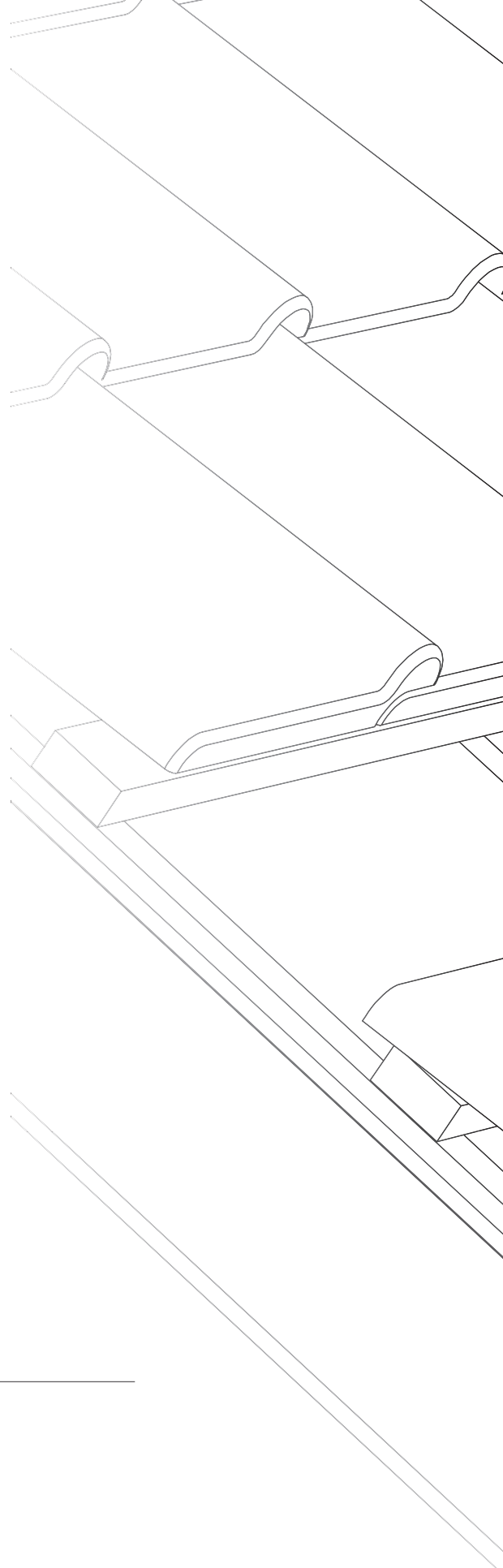


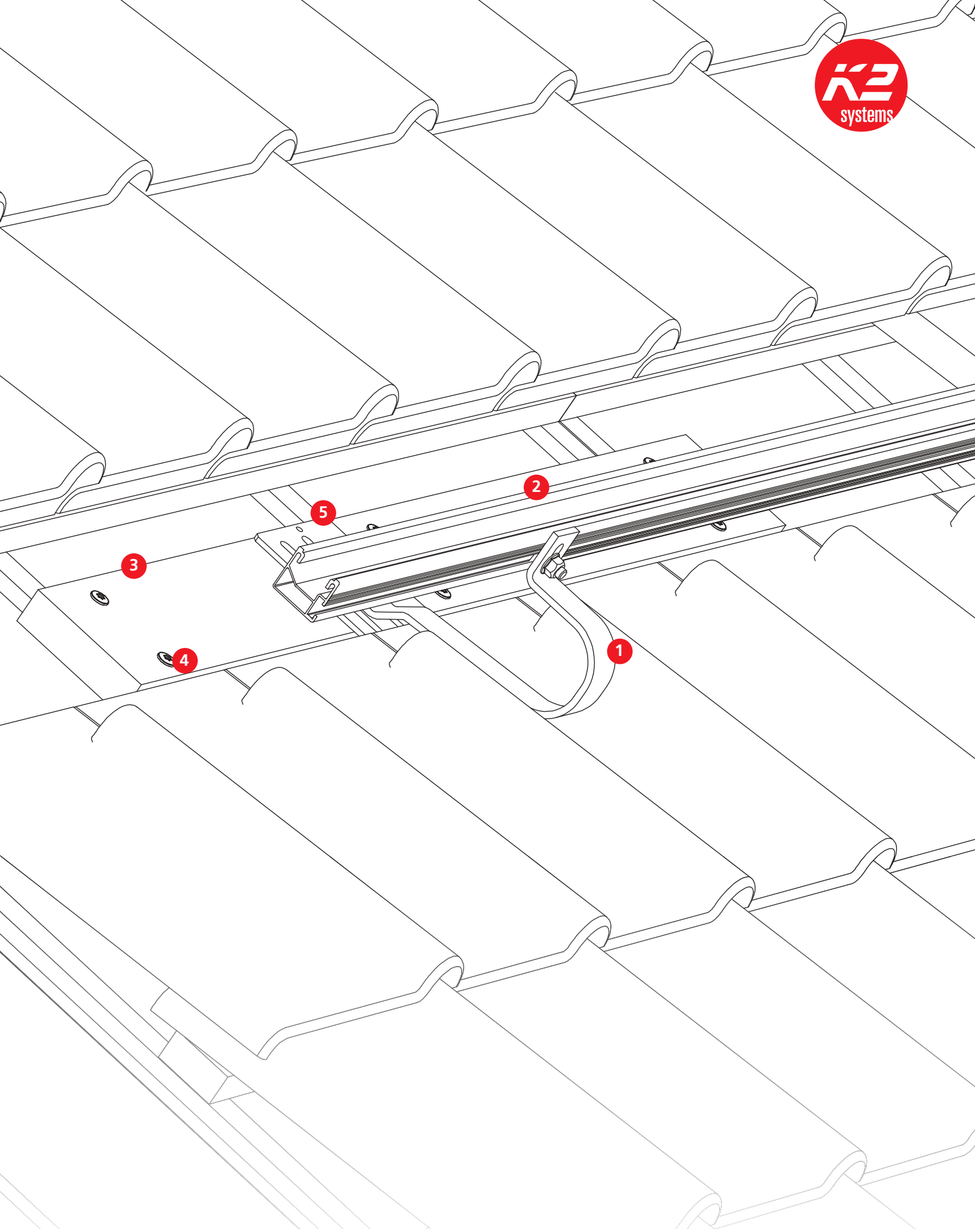
Self-drilling wood screw

5 2002332 (optional)



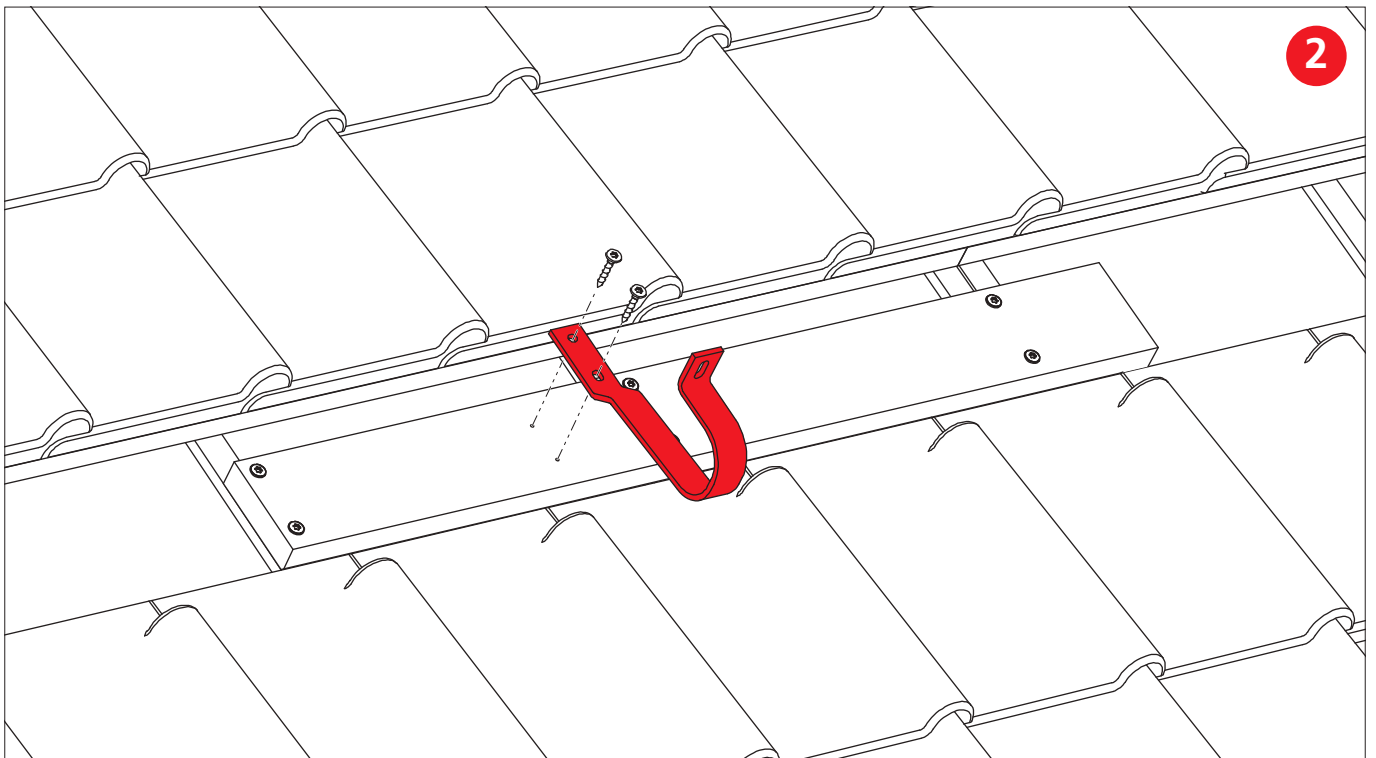
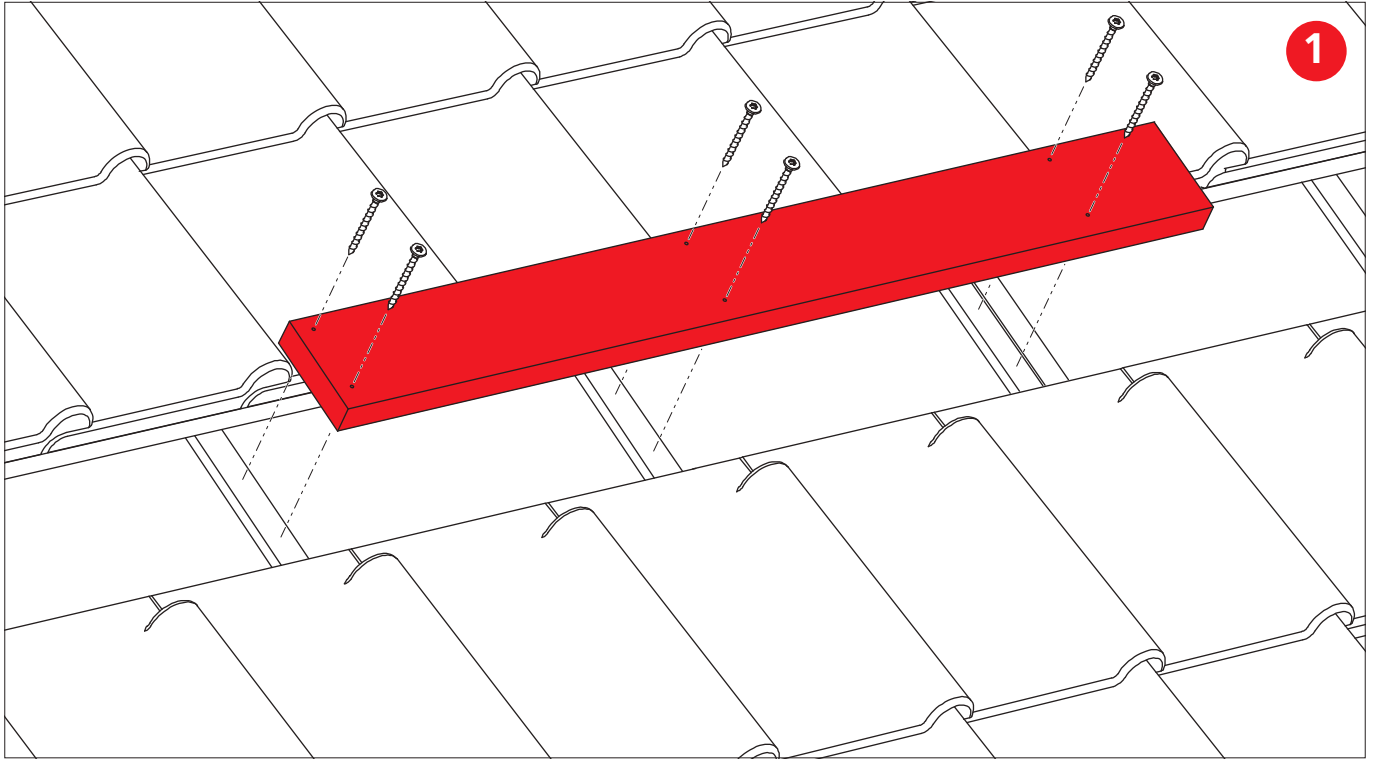
Height compensator for roof hooks

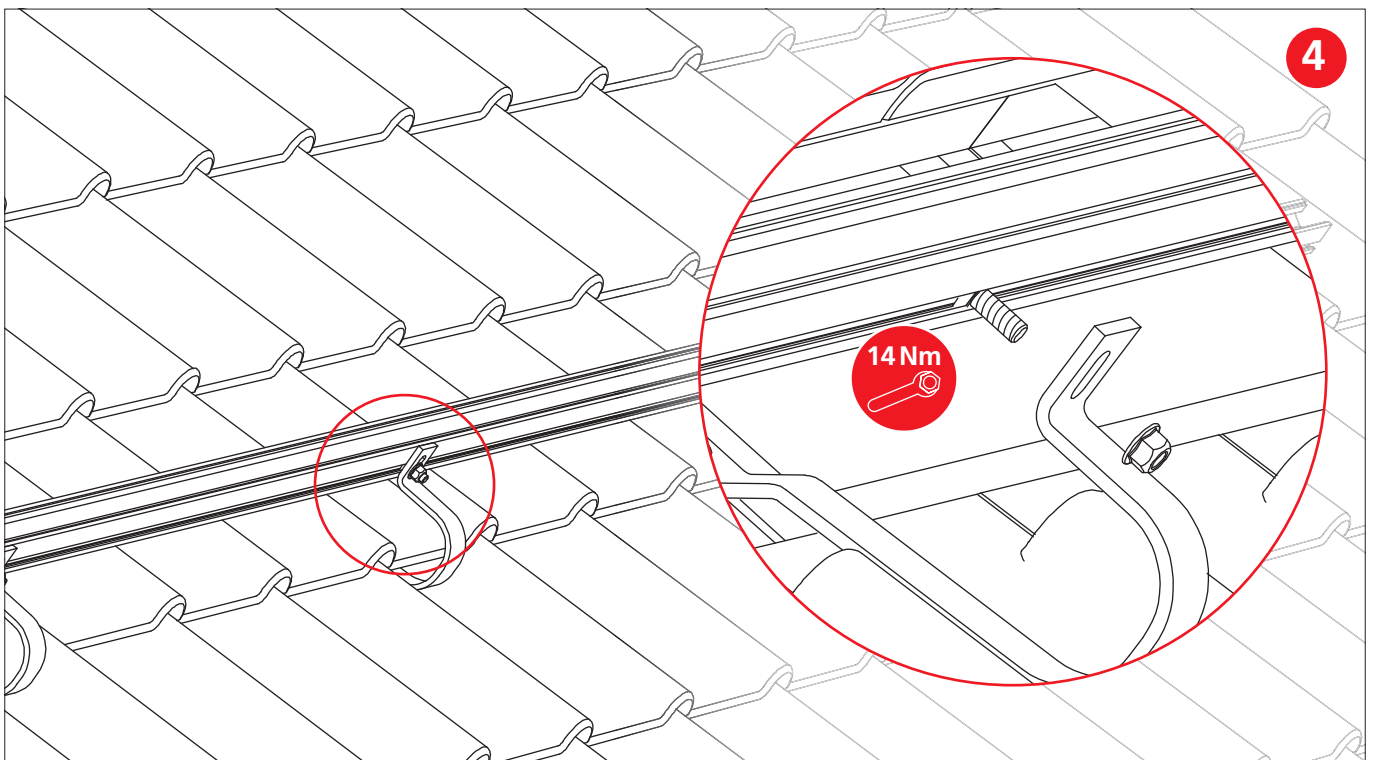
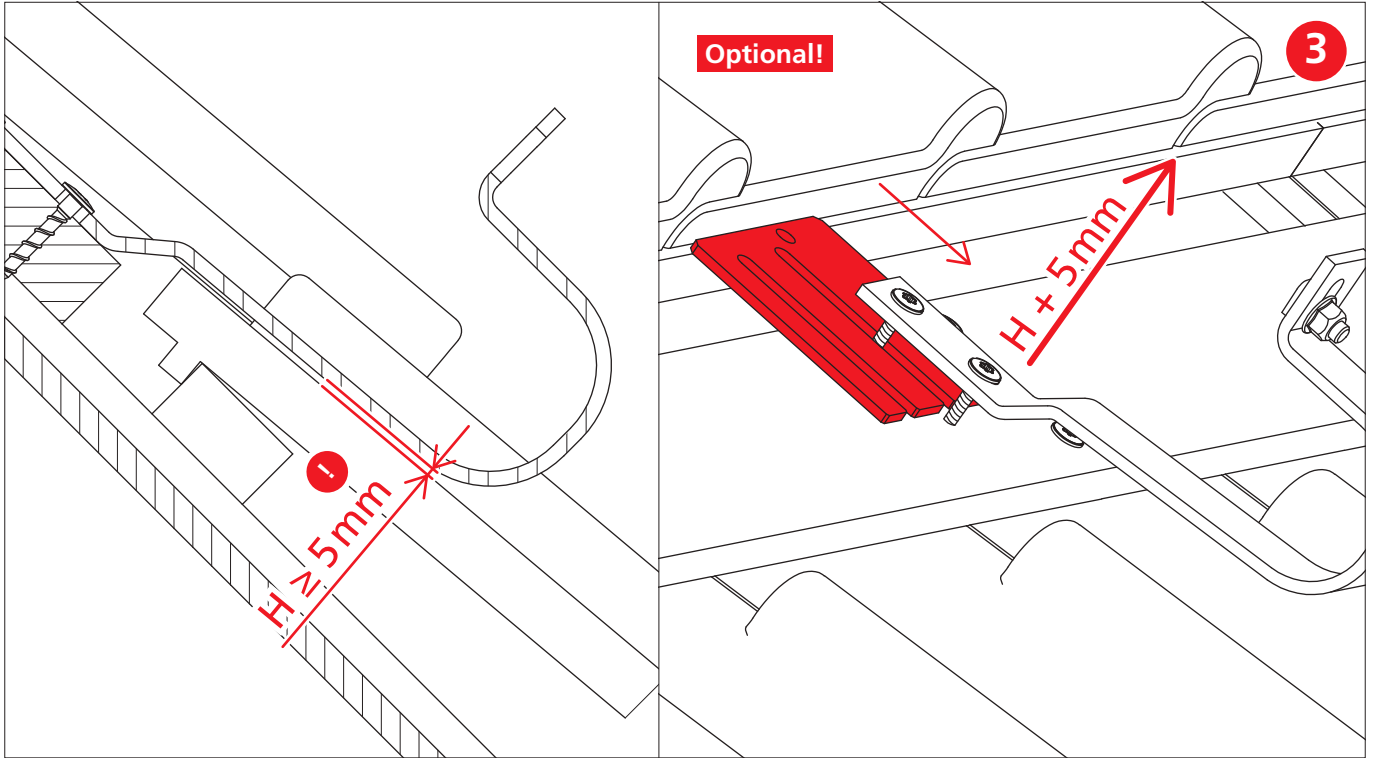




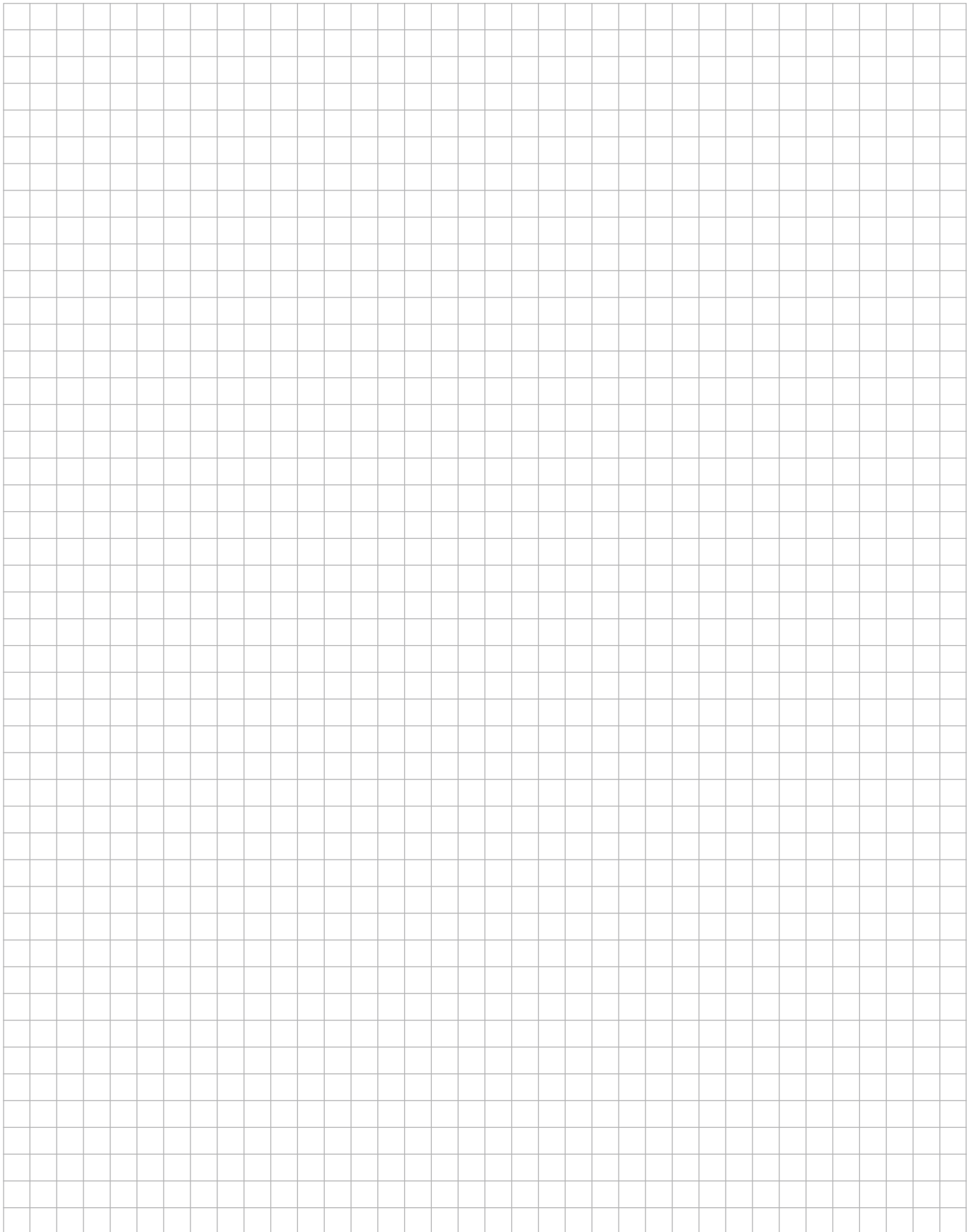
Assembly

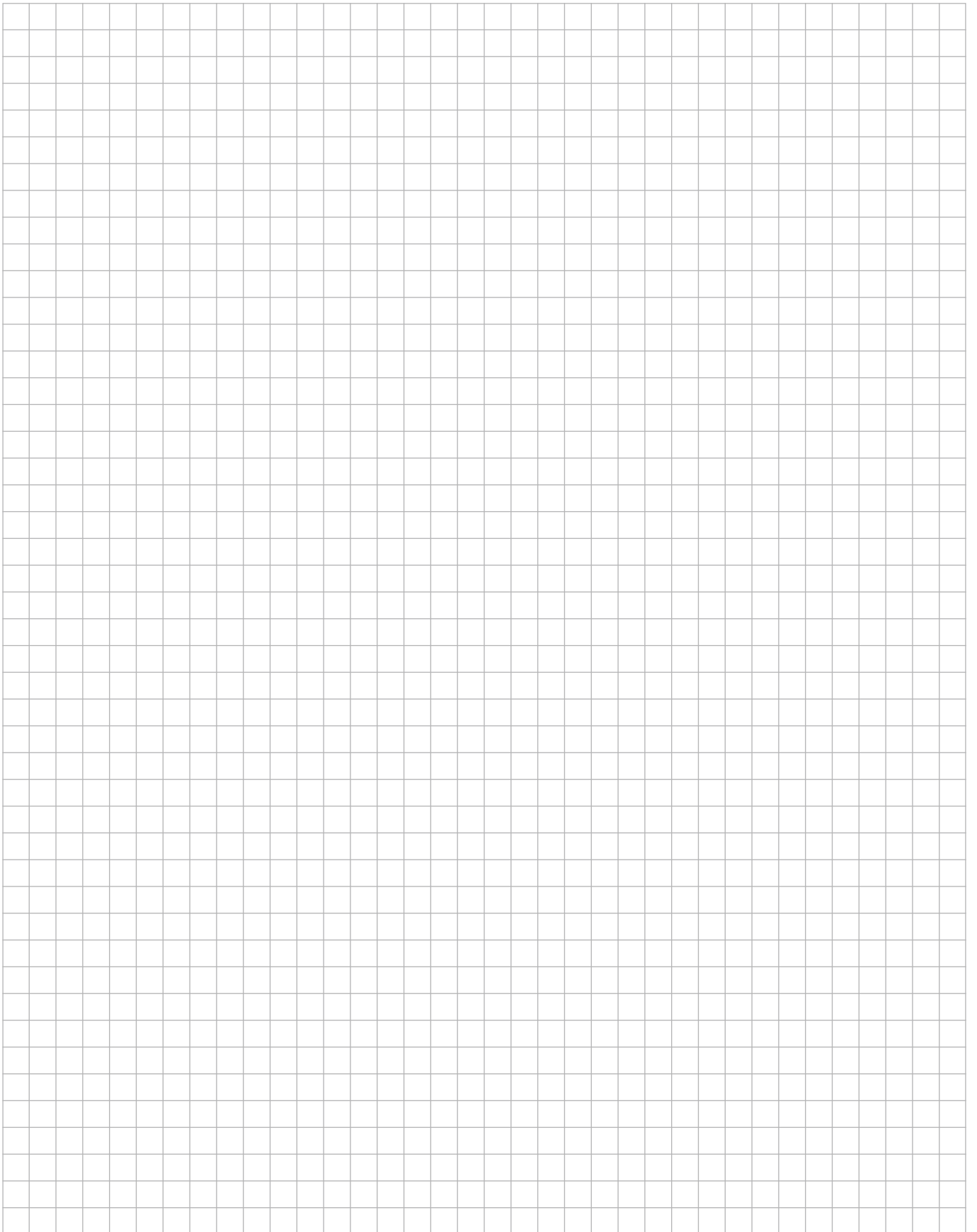
PORTRAIT





Notes





THANK YOU FOR CHOOSING A K2 MOUNTING SYSTEM.

Systems from K2 Systems are quick and easy to install. We hope these instructions have helped. Please contact us with any questions or suggestions for improvement.

Our contact data:

- ▶ www.k2-systems.com/en/contact
- ▶ **Service Hotline: +49 (0)7159 42059-0**

German law shall apply excluding the UN Convention on CISG.
Place of venue is Stuttgart.

Our General Terms of Business apply. Please refer:
www.k2-systems.com

K2 Systems GmbH

Industriestraße 18
71272 Renningen
Germany

Tel. +49 (0) 7159 - 42059 - 0
Fax +49 (0) 7159 - 42059 - 177

info@k2-systems.com
www.k2-systems.com